



Automatic Reset

Quick Action Bimetallic Disc Thermostats

General Specification

Item	Description
1 Basic Features	1/2" Disc Insulated Thermostat, SPST
2 Operation	A: Open on temperature rise B: Close on temperature rise
3 Temperature Range	-10°C to 100°C 100°C to 130°C 130°C to 180°C 180°C to 210°C 210°C to 250°C
4 Tolerance	4°C 5°C 6°C 8°C 12°C
5 Differential	15°C 25°C 30°C 40°C 50°C
6 Calibration Method	1C/min. Air circulation furnace with a signal current load
7 Insulation Resistance	More than 1,000 MΩ at DC 500 V with Megger
8 Dielectric Strength	AC 1,500 V for one minute or AC 1,800 V for one second
9 Contact Resistance	Less than 30 milliohms

Phenolic Thermostats: Temperature up to 150°C

Type No.	Feature	Electrical Rating			
03EP	Micro Current	250VAC/30VAC	0.1A	Resistive	100M cycles
11N	Low Profile	125VAC/250VAC	15A/10A	Resistive	100M cycles
50N	Clip-on Mounting	125VAC/250VAC	15A/10A	Resistive	100M cycles
11S	Low Profile	125VAC/250VAC	6A/3A	Resistive	100M cycles
50S	Clip-on Mounting	125VAC/250VAC	6A/3A	Resistive	100M cycles
54N	General Purpose	120VAC/240VAC	15A/10A	Resistive/Inductive	100M cycles

Ceramic High Temperature Thermostats

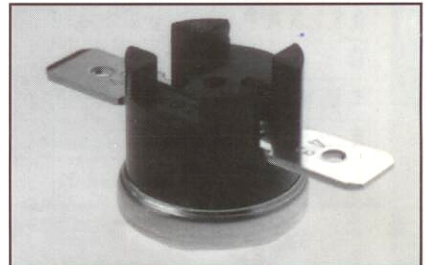
Type No.	Feature	Electrical Rating			
09N	Clip-on Mounting	125VAC/250VAC	15A/10A	Resistive	100M cycles
10N	Clip-on Mounting	125VAC/250VAC	15A/10A	Resistive	100M cycles
52N	General Purpose	125VAC/250VAC	15A/10A	Resistive	100M cycles
52N•	General Purpose	125VAC/250VAC	15A/10A	Inductive•	6M cycles



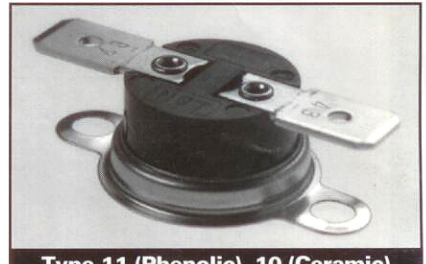
Type 03, 54 (Phenolic)



Type 52 (Ceramic Body)

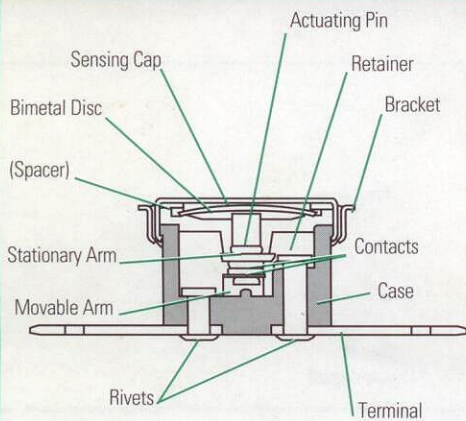


Type 50 (Phenolic), 09 (Ceramic)

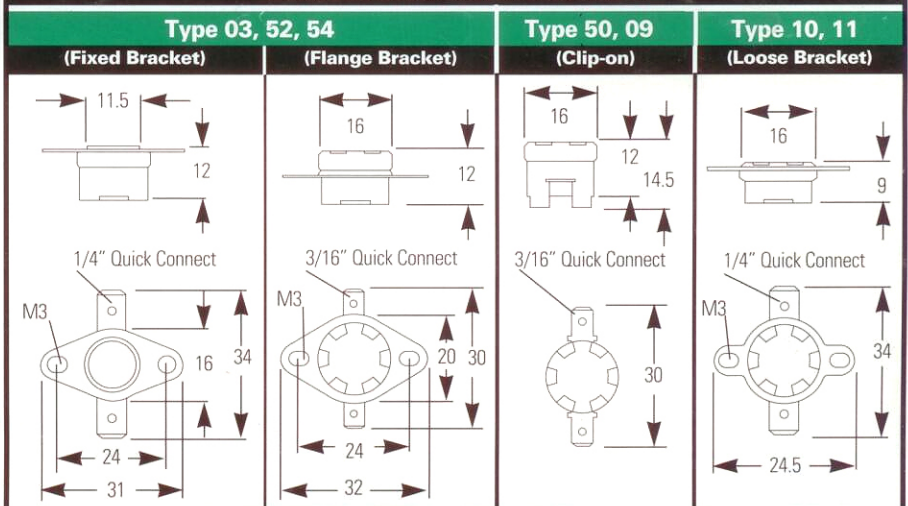


Type 11 (Phenolic), 10 (Ceramic)

Structure: Automatic Reset



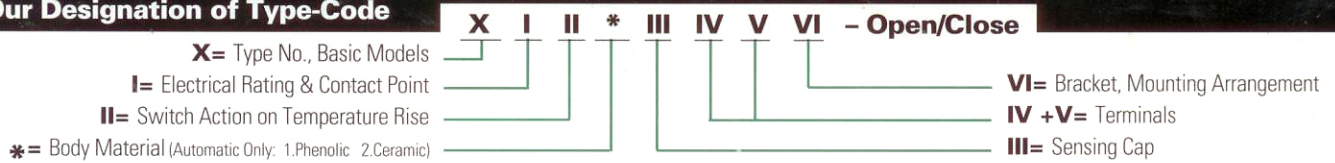
Dimensions: Automatic Reset





Thermostat Part Number Key/Variation Chart

Our Designation of Type-Code



I	N AC 120V/AC 240V 15A/10A : Standard Contact Point																																																																																																			
	S AC 120V/AC 250V 6A/3A : For Short Body																																																																																																			
	X AC 120V/DC 30V 10M-1A : Cross-Bar Contact Point																																																																																																			
	P AC 120V/DC 6-30V 10M-100mA : Cross-Bar Contact Point																																																																																																			
II	1 Open on rise (operation type A)																																																																																																			
	3 Close on rise (operation type B)																																																																																																			
	4 Open on rise: one time operation																																																																																																			
III	<table border="0"> <tr> <td>0, 1, 4, T, W Aluminum</td> <td>No. 0</td> <td>No. 1,2,3</td> <td>No. 4,5</td> <td>No. 6</td> <td>No. 7</td> <td>No. A</td> <td>No. P</td> <td>No. S</td> <td>No. T,U,V</td> <td>No. W</td> </tr> <tr> <td>2, 7, S, U Copper Alloy</td> <td></td> <td></td> <td></td> <td></td> <td></td> <td></td> <td></td> <td></td> <td></td> <td></td> </tr> <tr> <td>3, 5, 6, A, P, V Stainless Steel</td> <td></td> <td></td> <td></td> <td></td> <td></td> <td></td> <td></td> <td></td> <td></td> <td></td> </tr> <tr> <td>0, 1, 2, 3, A, P, W Fits w/Bracket #...</td> <td></td> <td></td> <td></td> <td></td> <td></td> <td></td> <td></td> <td></td> <td></td> <td></td> </tr> <tr> <td>O Open Cap</td> <td colspan="10"></td> </tr> <tr> <td>T, U, V Close On Rise (Operation Type B)</td> <td colspan="10"></td> </tr> <tr> <td>S Screw Threads (6-32, 8-32UNC)</td> <td colspan="10"></td> </tr> <tr> <td>7, P Tube Mounting</td> <td colspan="10"></td> </tr> <tr> <td colspan="2" style="text-align: center;">No. 0-5 Fixed Bracket</td> <td colspan="9" style="text-align: center;">No. 1+5, 2+5, 3+5 Fixed Brackets</td> </tr> </table>	0, 1, 4, T, W Aluminum	No. 0	No. 1,2,3	No. 4,5	No. 6	No. 7	No. A	No. P	No. S	No. T,U,V	No. W	2, 7, S, U Copper Alloy											3, 5, 6, A, P, V Stainless Steel											0, 1, 2, 3, A, P, W Fits w/Bracket #...											O Open Cap											T, U, V Close On Rise (Operation Type B)											S Screw Threads (6-32, 8-32UNC)											7, P Tube Mounting											No. 0-5 Fixed Bracket		No. 1+5, 2+5, 3+5 Fixed Brackets								
	0, 1, 4, T, W Aluminum	No. 0	No. 1,2,3	No. 4,5	No. 6	No. 7	No. A	No. P	No. S	No. T,U,V	No. W																																																																																									
	2, 7, S, U Copper Alloy																																																																																																			
	3, 5, 6, A, P, V Stainless Steel																																																																																																			
	0, 1, 2, 3, A, P, W Fits w/Bracket #...																																																																																																			
	O Open Cap																																																																																																			
	T, U, V Close On Rise (Operation Type B)																																																																																																			
	S Screw Threads (6-32, 8-32UNC)																																																																																																			
	7, P Tube Mounting																																																																																																			
	No. 0-5 Fixed Bracket		No. 1+5, 2+5, 3+5 Fixed Brackets																																																																																																	
IV V	<table border="0"> <tr> <td>No. 01 Solder</td> <td>No. 02 Solder</td> <td>No. 05 .187 Quick Connect</td> <td>No. 06/10 .187 Quick Connect</td> <td>No. 07 Strap</td> </tr> <tr> <td></td> <td></td> <td></td> <td></td> <td></td> </tr> <tr> <td>No. 08 Weld</td> <td>No. 11 Strap</td> <td>No. 12 Crimp</td> <td>No. 14 .187 Quick Connect</td> <td>No. 27 Tube</td> </tr> <tr> <td></td> <td></td> <td></td> <td></td> <td></td> </tr> <tr> <td>No. 28 Strap</td> <td>No. 36 .187 Quick Connect</td> <td>No. 43 .250 Quick Connect</td> <td>No. 44 .250 Quick Connect</td> <td></td> </tr> <tr> <td></td> <td></td> <td></td> <td></td> <td></td> </tr> </table>	No. 01 Solder	No. 02 Solder	No. 05 .187 Quick Connect	No. 06/10 .187 Quick Connect	No. 07 Strap						No. 08 Weld	No. 11 Strap	No. 12 Crimp	No. 14 .187 Quick Connect	No. 27 Tube						No. 28 Strap	No. 36 .187 Quick Connect	No. 43 .250 Quick Connect	No. 44 .250 Quick Connect																																																																											
	No. 01 Solder	No. 02 Solder	No. 05 .187 Quick Connect	No. 06/10 .187 Quick Connect	No. 07 Strap																																																																																															
	No. 08 Weld	No. 11 Strap	No. 12 Crimp	No. 14 .187 Quick Connect	No. 27 Tube																																																																																															
	No. 28 Strap	No. 36 .187 Quick Connect	No. 43 .250 Quick Connect	No. 44 .250 Quick Connect																																																																																																
	VI	<table border="0"> <tr> <td>0 No Bracket</td> <td></td> <td></td> <td></td> <td></td> </tr> <tr> <td>B, E, H Fixed Bracket</td> <td>No. 1</td> <td>No. 2</td> <td>No. 3</td> <td>No. 4</td> </tr> <tr> <td>1, 2, 3, 4, A Loose Bracket</td> <td></td> <td></td> <td></td> <td></td> </tr> <tr> <td>E, A (With Spring) Tube Mounting</td> <td>No. A</td> <td>No. B (Fits with Cap A)</td> <td>No. E (Fits with Cap P)</td> <td>No. H (Fits with Cap W)</td> </tr> </table>	0 No Bracket					B, E, H Fixed Bracket	No. 1	No. 2	No. 3	No. 4	1, 2, 3, 4, A Loose Bracket					E, A (With Spring) Tube Mounting	No. A	No. B (Fits with Cap A)	No. E (Fits with Cap P)	No. H (Fits with Cap W)																																																																														
		0 No Bracket																																																																																																		
		B, E, H Fixed Bracket	No. 1	No. 2	No. 3	No. 4																																																																																														
1, 2, 3, 4, A Loose Bracket																																																																																																				
E, A (With Spring) Tube Mounting		No. A	No. B (Fits with Cap A)	No. E (Fits with Cap P)	No. H (Fits with Cap W)																																																																																															

